



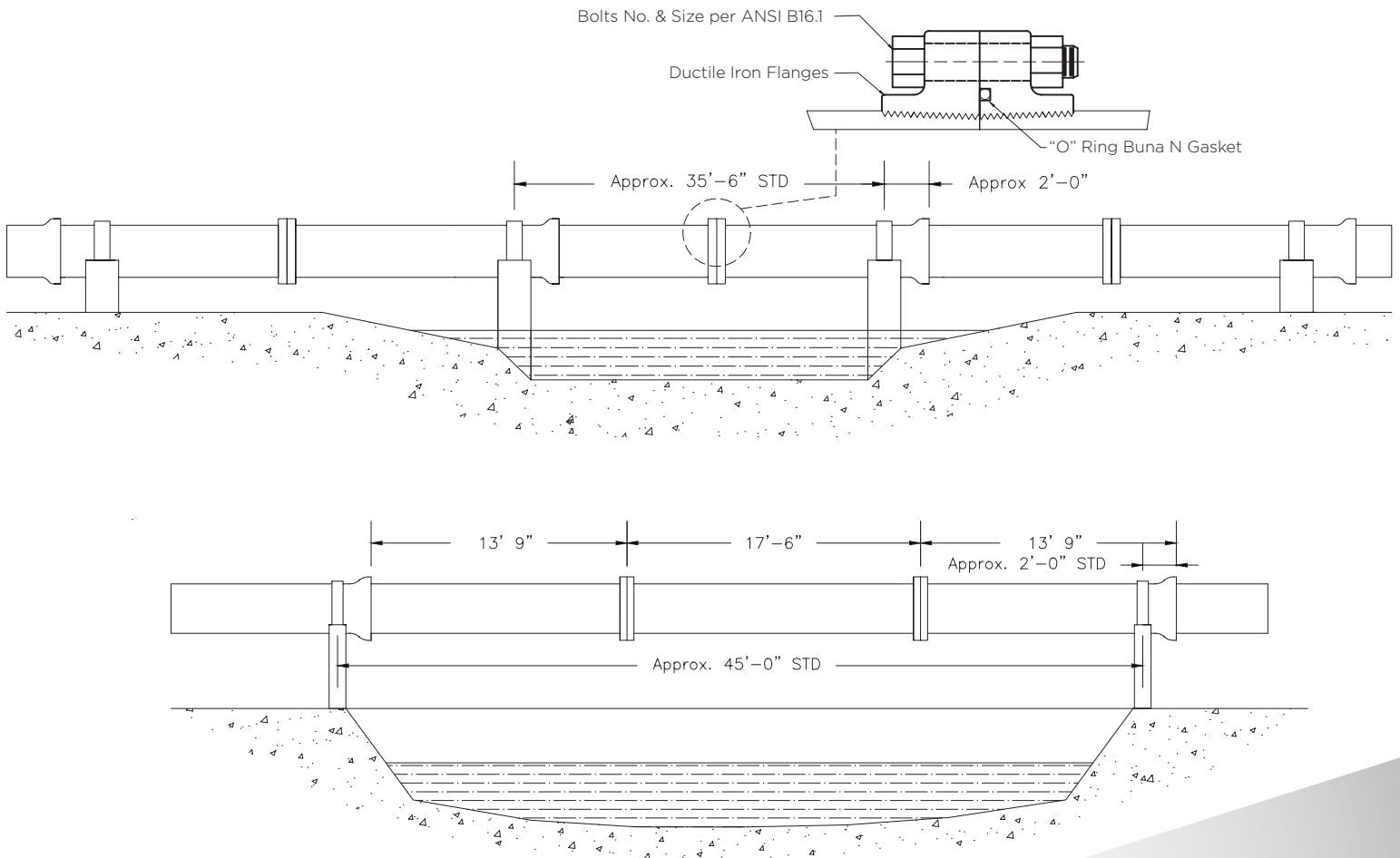
IRON STRONG

DUCTILE IRON PIPE

LONG-SPAN

**MECHANICAL JOINT,
TYTON®, OR TR FLEX®
& FLANGED PIPE**

2 & 3 PIECE LONG SPAN SECTIONS



Long-Span Pipe is a Ductile cast iron multiple length pipe utilizing a unique McWane Ductile-designed O-Ring Rubber Gasket Joint to minimize the number of piers required in elevated lines. Installation requires support under each bell, with allowance for expansion and contraction. The length tolerance of each unit is plus or minus ¼ inch. Pipe are shipped unassembled, with accessories packaged separately. The pipe conforms to ANSI A21.51. Flanges are 70-50-05 Ductile iron using plated or stainless steel bolts of the same size and number as ANSI B16.1 125 pound flanges. Long span can be made MJ, Tyton®, or TR Flex®, and Flanged. Lengths and configurations beyond the catalog standards are available. Contact your local McWane Ductile representative for details.

LONG-SPAN DIMENSIONS & WEIGHTS

NOMINAL PIPE SIZE (INCHES)	PRESSURE RATING (PSI)	UNIT LAYING LENGTH (FEET*)	WALL THICKNESS		DEFLECTION† AT CENTER OF SPAN (INCHES)	WEIGHT-POUNDS PER UNIT TOTAL LENGTH EMPTY PIPE INCLUDING ACCESSORIES
			A21.51 CLASS	IN INCHES		
6	250	27	54	.37	.53	690
8	250	27	54	.39	.34	965
10	250	27	54	.41	.24	1260
12	250	36	54	.43	.57	2080
14	250	36	54	.45	.45	2545
16	250	36	54	.46	.37	2990
18	250	36	55	.50	.29	3615
18	250	45	56	.53	.70	4890
20	250	36	55	.51	.25	4130
20	250	45	56	.54	.60	5595
24	250	36	56	.56	.18	5450
24	250	45	56	.56	.45	7045
30	250	36	55	.59	.13	7210
30	250	45	55	.59	.32	9395
36	250	36	53	.58	.09	9462
36	250	45	54	.63	.20	12151

* Plus or minus 1/4 inch. † With pipe full of water.
Note: Unit laying lengths shorter than those listed above can also be furnished.

STANDARDS APPLICABLE TO DUCTILE IRON PIPE AND FITTINGS

THICKNESS DESIGN OF DUCTILE IRON PIPE	ANSI/AWWA C150/A21.50
DUCTILE IRON PIPE FOR WATER AND OTHER LIQUIDS	ANSI/AWWA C151/A21.51, FEDERAL WWP421D, GRADE C
DUCTILE IRON PIPE FOR GRAVITY FLOW SERVICE	ANSI/ASTM A746
DUCTILE IRON FITTINGS FOR WATER AND OTHER LIQUIDS (3 in. through 36 in.)	ANSI/AWWA C110/A21.10
DUCTILE IRON COMPACT FITTINGS (3 in. through 24 in.)	ANSI/AWWA C153/A21.53
FLANGED FITTINGS	ANSI/AWWA C110/A21.10, ANSI B16.1
DUCTILE IRON PIPE WITH THREADED FLANGES	ANSI/AWWA C115/21.15
COATINGS AND LININGS	
Asphaltic	ANSI/AWWA C151/A21.51, ANSI/AWWA C110/A21.10, ANSI/AWWA C153/A21.53
Cement Lining	ANSI/AWWA C104/A21.4
Various Epoxy Linings and Coatings	MANUFACTURER'S STANDARD
Exterior Polyethylene Encasement	ANSI/AWWA C105/A21.5
JOINTS - PIPE AND FITTINGS	
Push-On and Mechanical Rubber-Gasket Joints	ANSI/AWWA C111/A21.11, FEDERAL WWP421D
Flanged	ANSI/AWWA C115/A21.15, ANSI B16.1
Grooved and Shouldered	ANSI/AWWA C606
PIPE THREADS	ANSI B2.1
INSTALLATION	ANSI/AWWA C600

Tyton®, Tyton Joint®, and TR Flex® are registered trademarks of US Pipe and Foundry.



POCKET ENGINEER

Available for iOS + Android
or online at pe.mcwane.com

CONNECT WITH US ON



mcwaneductile.com

NEW JERSEY
183 Sitgreaves St.
Phillipsburg, NJ 08865
908-454-1161

OHIO
2266 S. 6th St.
Coshocton, OH 43812
740-622-6651

UTAH
1401 E. 2000 South
Provo, UT 84606
801-373-6910



canadapipe.com

CANADA
55 Frid Street, Suite 1
Hamilton, ON L8P-4M3
905-547-3251